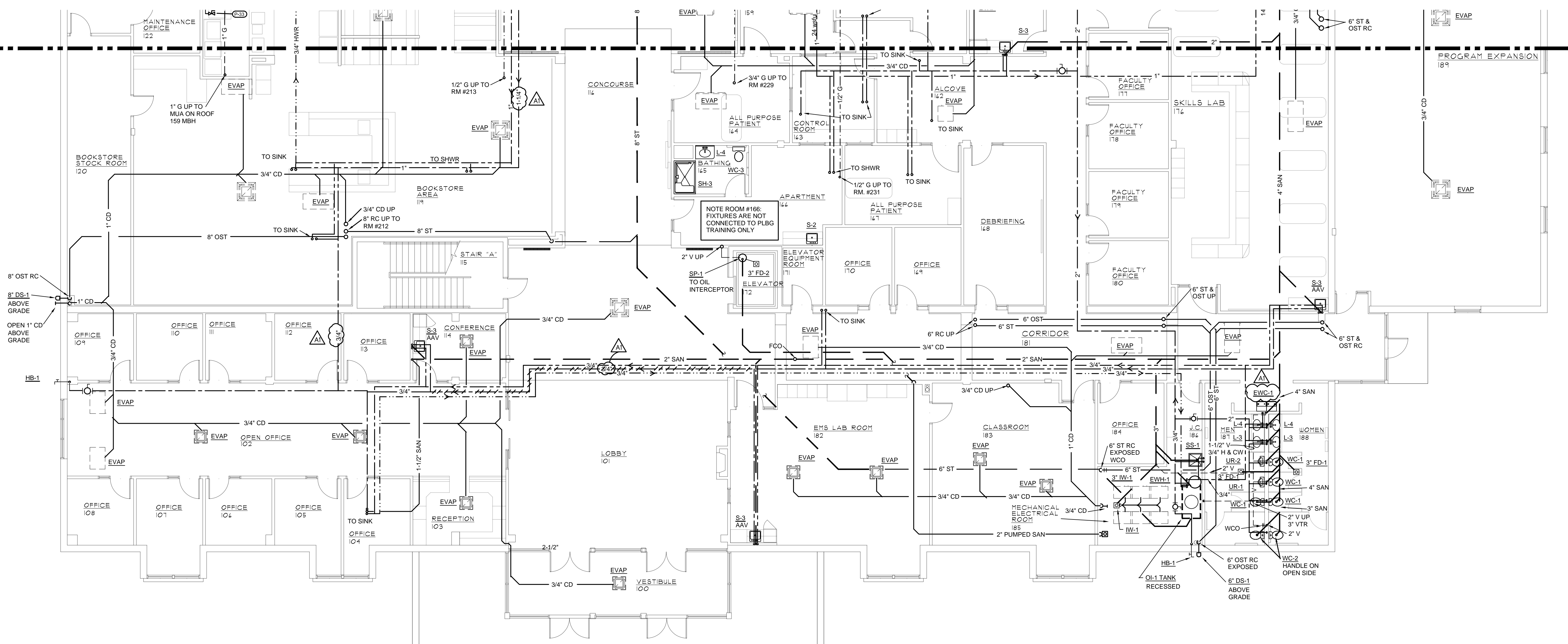


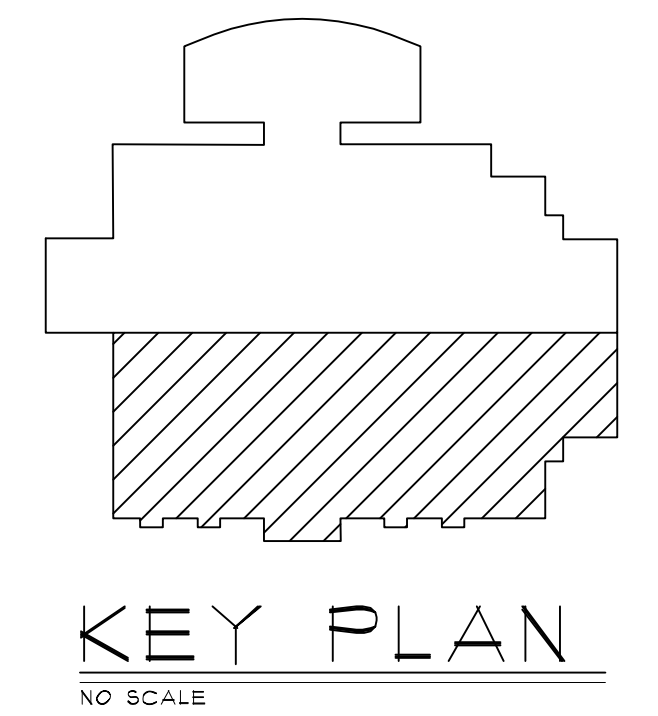
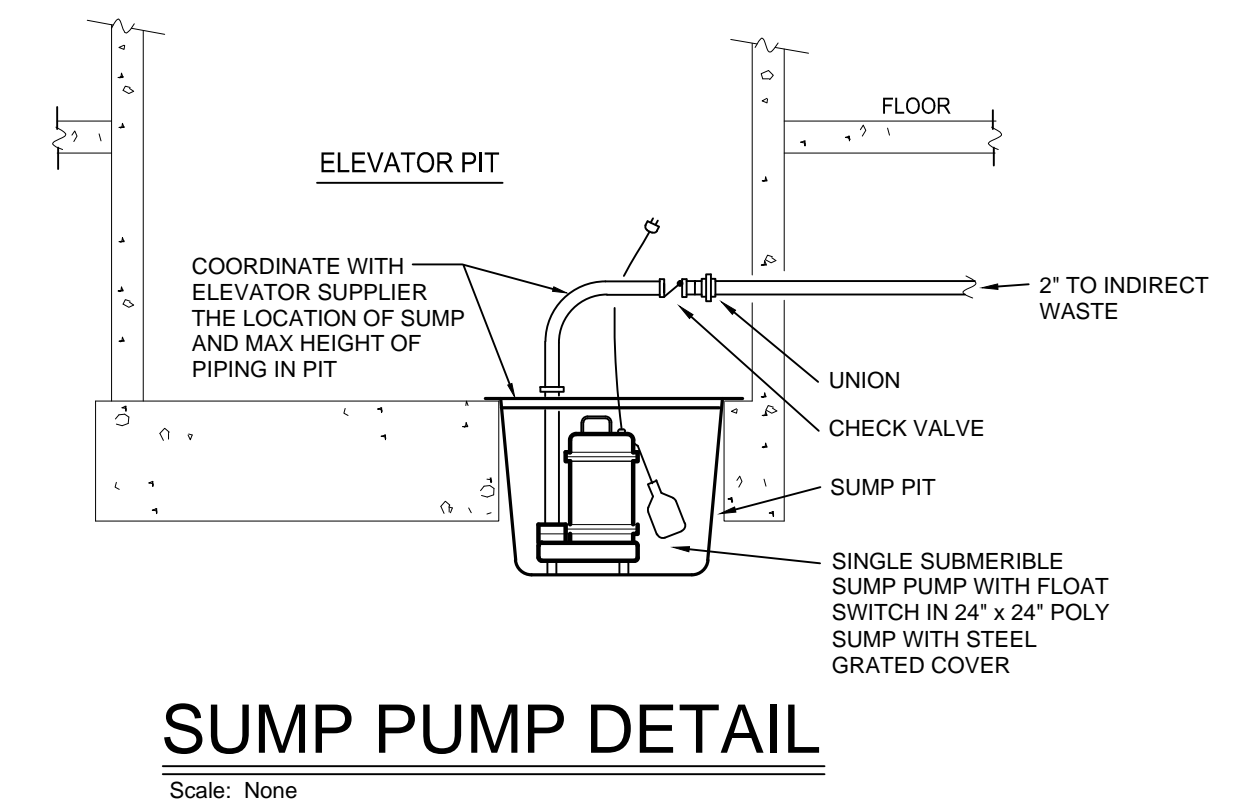
Match Line - P-2  
 Match Line - P-1



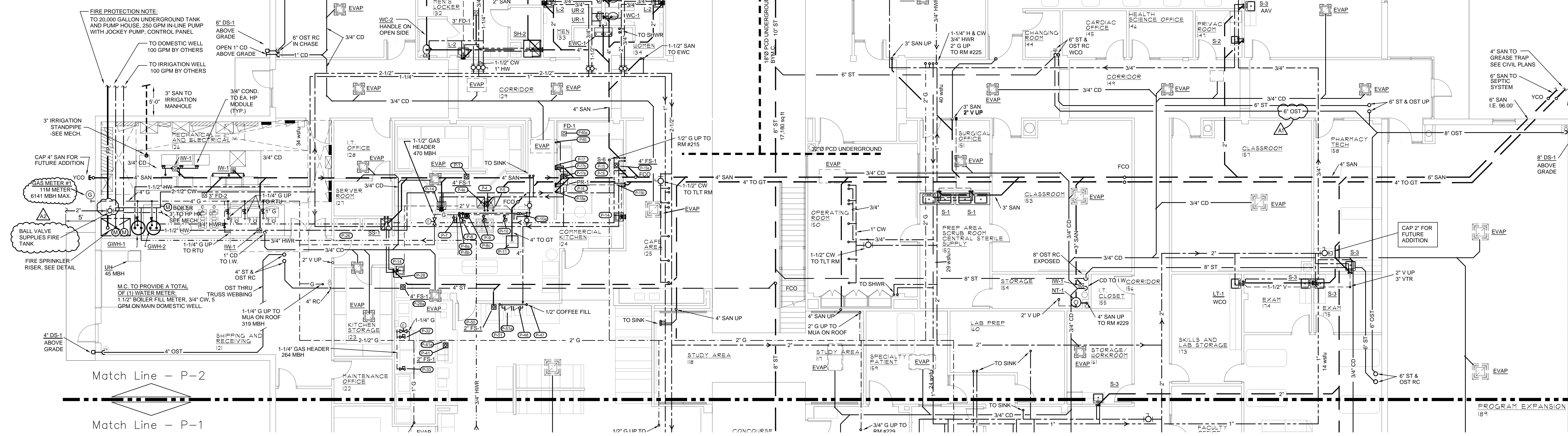
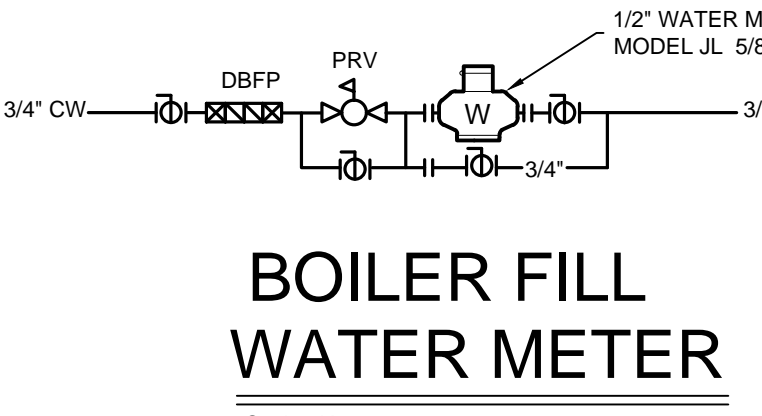
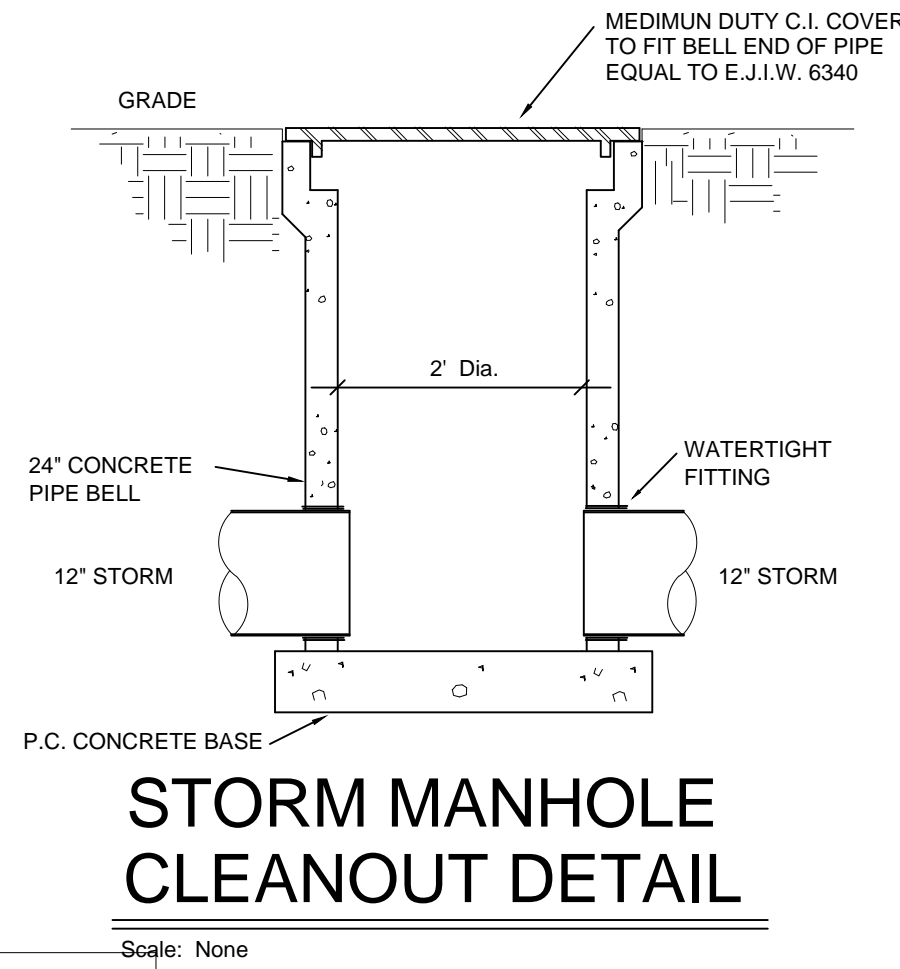
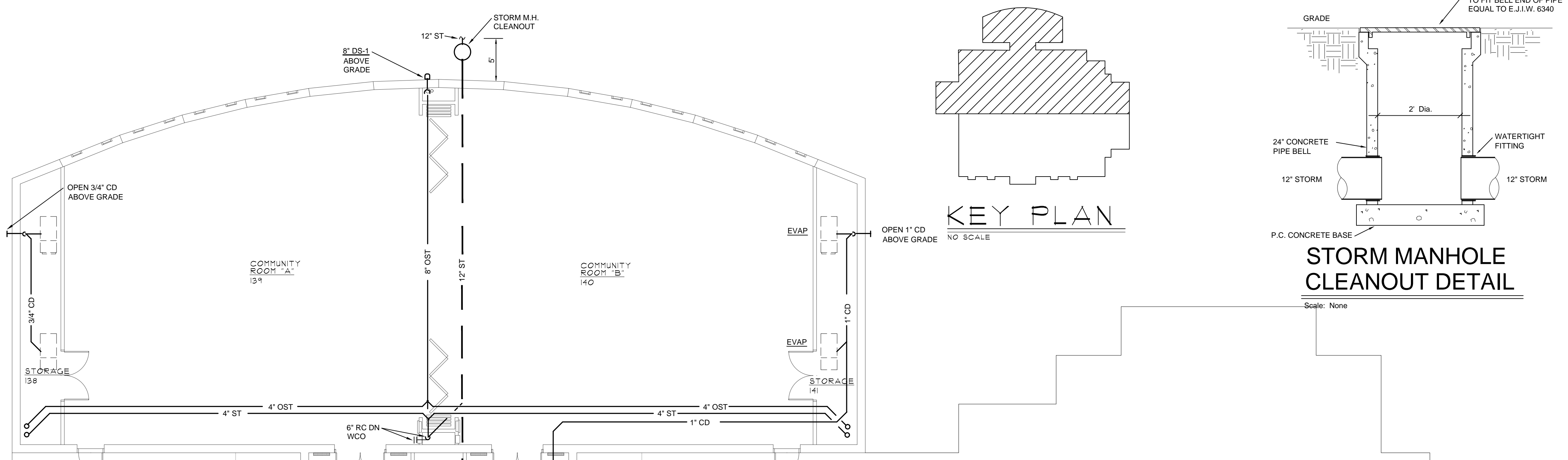
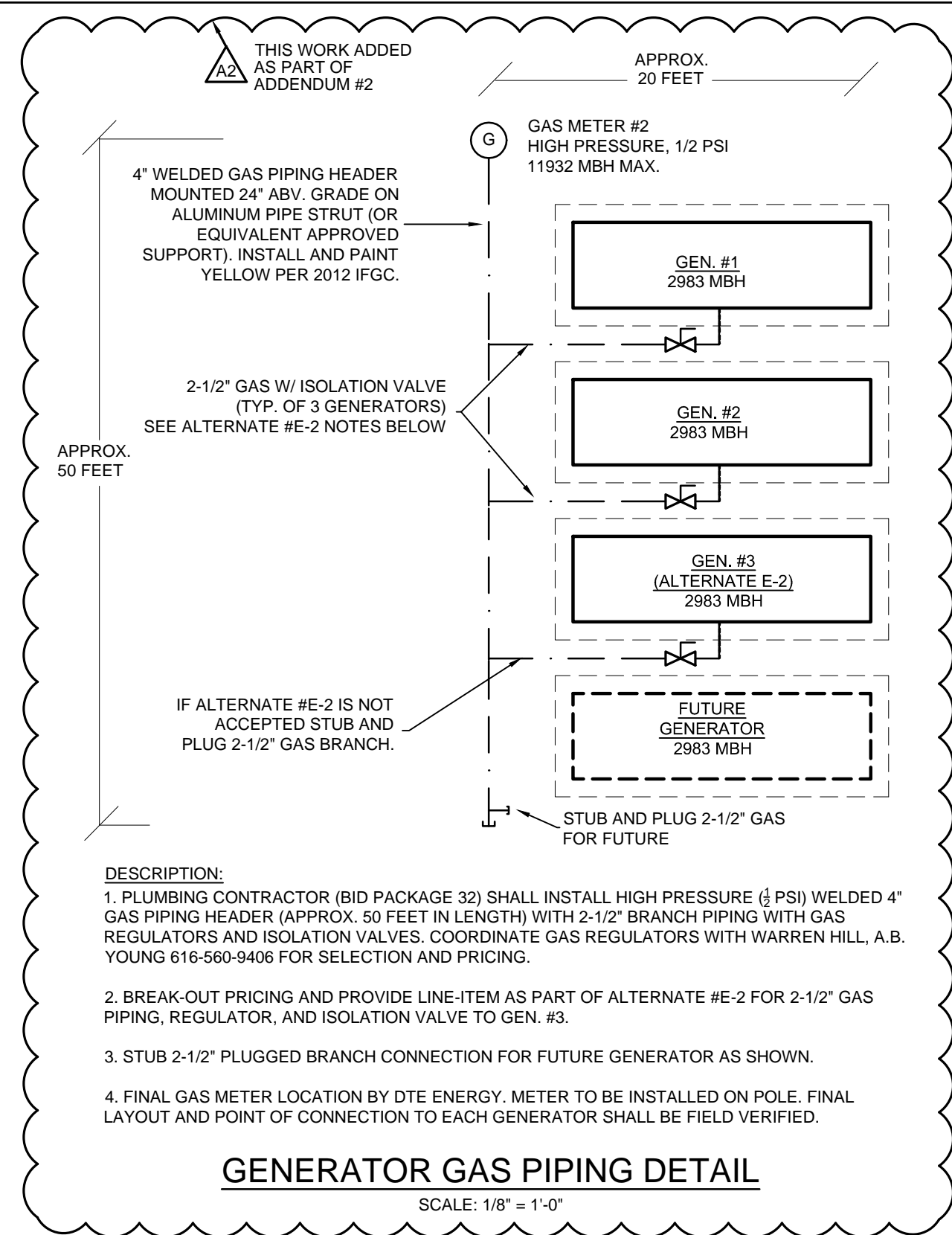
**PLUMBING LEGEND**

COLD WATER PIPE	----	CHECK VALVE	∩
HOT WATER PIPE	----	DOUBLE CHECK VALVE	∩∩
HOT WATER RETURN	----	REDUCED PRESSURE ZONE ASSEMBLIES	⊗
SANITARY PIPE BELOW GRADE	----	BALL VALVE	⊙
SANITARY PIPE ABOVE GRADE	----	GAS SOLENOID VALVE	⊗
STORM PIPE BELOW GRADE	ST	FLOOR CLEANOUT	FCO
STORM PIPE ABOVE GRADE	ST	WALL CLEANOUT	WCO
OVERFLOW STORM PIPE	OST	VENT	V
SANITARY VENT PIPING ABOVE	V	VENT THRU ROOF	VTR
CONDENSATE DRAIN	CD	RAIN CONDUCTOR	RC
AMERICAN DISABILITIES ACT	ADA	TYPICAL	TYP
TRAP PRIMER VALVE	TPV	AIR ADMITTANCE VALVE	AAV
		EVAPORATOR CEILING MOUNT	EVAP
		FOOD SERVICE EQPT. CONTRACTOR	F.S.E.C.

**PARTIAL PLUMBING FIRST FLOOR PLAN EAST SIDE**  
 SCALE: 1/8" = 1'-0"



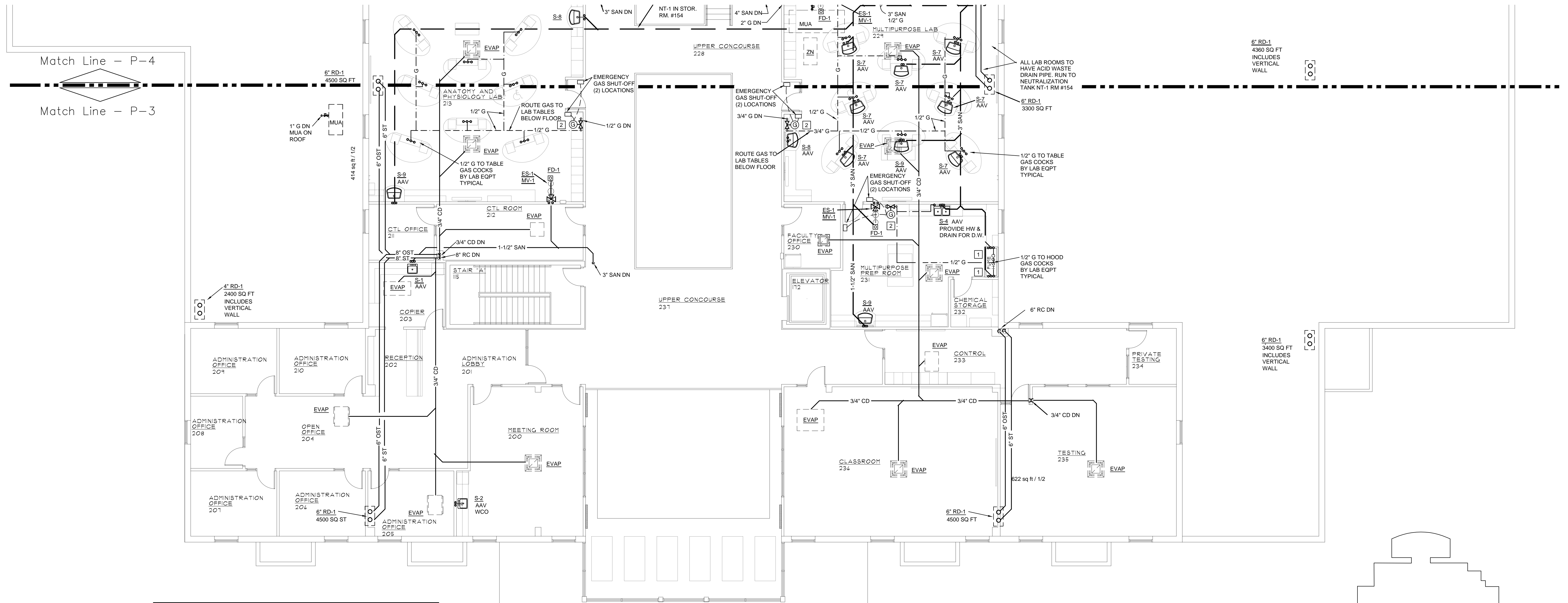




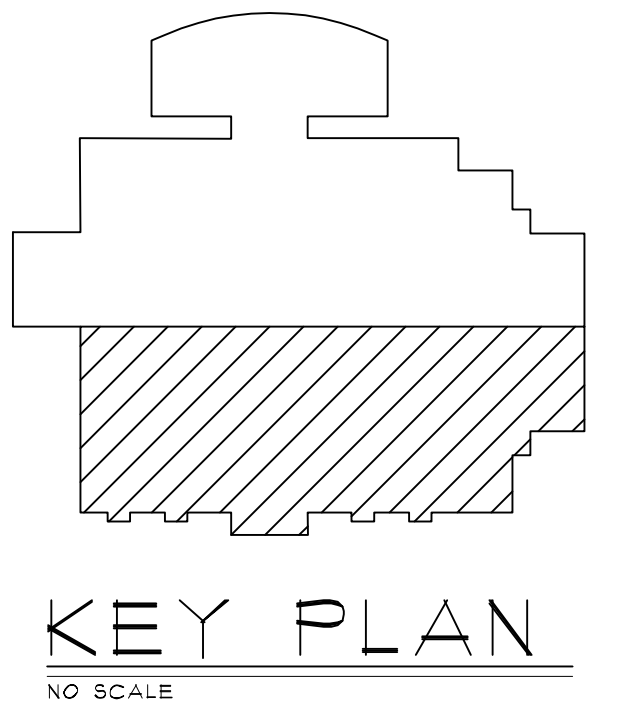


**PLUMBING LEGEND**

COLD WATER PIPE	----	CHECK VALVE	∩
HOT WATER PIPE	----	DOUBLE CHECK VALVE	∩∩
HOT WATER RETURN	----	REDUCED PRESSURE ZONE ASSEMBLIES	⊗
SANITARY PIPE BELOW GRADE	----	BALL VALVE	⊙
SANITARY PIPE ABOVE GRADE	----	GAS SOLENOID VALVE	⊗
STORM PIPE BELOW GRADE	ST	FLOOR CLEANOUT	FCO
STORM PIPE ABOVE GRADE	ST	WALL CLEANOUT	WCO
OVERFLOW STORM PIPE	OST	VENT	V
SANITARY VENT PIPING ABOVE	V	VENT THRU ROOF	VTR
CONDENSATE DRAIN	CD	RAIN CONDUCTOR	RC
AMERICAN DISABILITIES ACT	ADA	TYPICAL	TYP
TRAP PRIMER VALVE	TPV	AIR ADMITTANCE VALVE	AAV
		EVAPORATOR CEILING MOUNT	EVAP
		FOOD SERVICE EQPT.	F.S.E.C.



- GAS SYSTEM KEYED NOTES**
- LABORATORY FUME HOOD: NEW LABORATORY FUME HOOD, FURNISHED AND INSTALLED BY THE LABORATORY EQUIPMENT PROVIDER. PLUMBING CONTRACTOR SHALL CONNECT NATURAL GAS PIPING TO FUME HOOD. LOCATIONS OF FINAL PIPING SHALL BE COORDINATED WITH THE LABORATORY EQUIPMENT SUPPLIER & FINAL FIELD CONDITIONS.
  - GAS SOLENOID VALVE: PROVIDE AND INSTALL 3/4" GAS SOLENOID VALVE WHERE NATURAL GAS PIPING ENTERS ROOM. VALVE SHOULD BE WIRED TO NEW WALL SHUT-OFF SWITCH (PROVIDED AND INSTALLED BY ELECTRICAL CONTRACTOR). VERIFY AND COORDINATE POWER, CONTROL CONDUIT & WIRING LOCATIONS WITH ELECTRICAL CONTRACTOR.

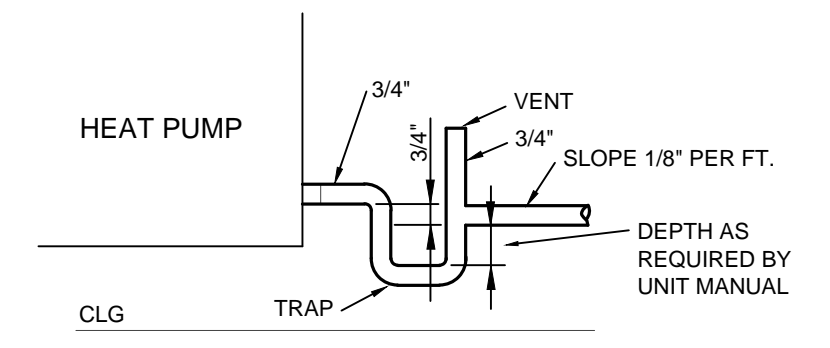


**PARTIAL PLUMBING SECOND FLOOR PLAN EAST SIDE**  
SCALE: 1/8" = 1'-0"



**PLUMBING LEGEND**

COLD WATER PIPE	---	CHECK VALVE	∩
HOT WATER PIPE	---	DOUBLE CHECK VALVE	∩∩
HOT WATER RETURN	---	REDUCED PRESSURE ZONE ASSEMBLIES	⊠
SANITARY PIPE BELOW GRADE	---	BALL VALVE	⊙
SANITARY PIPE ABOVE GRADE	---	GAS SOLENOID VALVE	⊗
STORM PIPE BELOW GRADE	ST	FLOOR CLEANOUT	FCO
STORM PIPE ABOVE GRADE	ST	WALL CLEANOUT	WCO
OVERFLOW STORM PIPE	OST	VENT	V
SANITARY VENT PIPING ABOVE	---	VENT THRU ROOF	VTR
CONDENSATE DRAIN	CD	RAIN CONDUCTOR	RC
AMERICAN DISABILITIES ACT	ADA	TYPICAL	TYP
TRAP PRIMER VALVE	TPV	AIR ADMITTANCE VALVE	AAV
		EVAPORATOR CEILING MOUNT	EVAP
		FOOD SERVICE EQPT.	F.S.E.C.



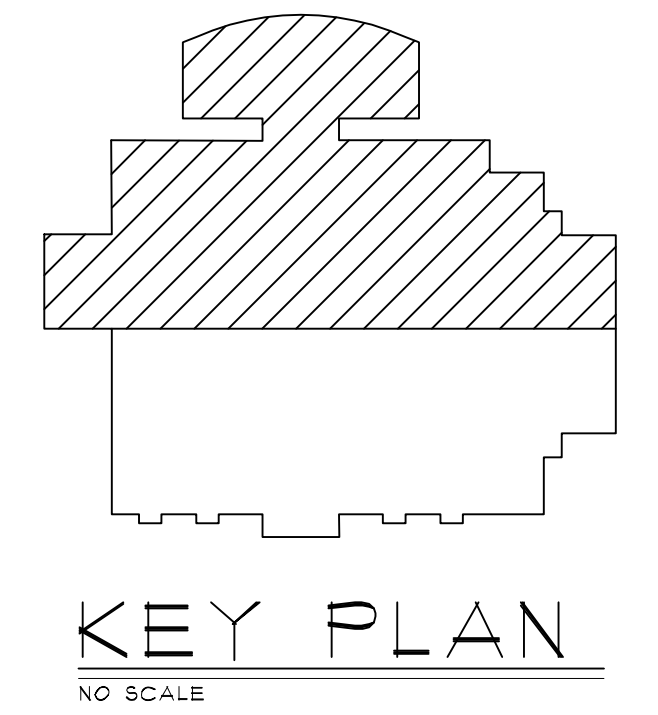
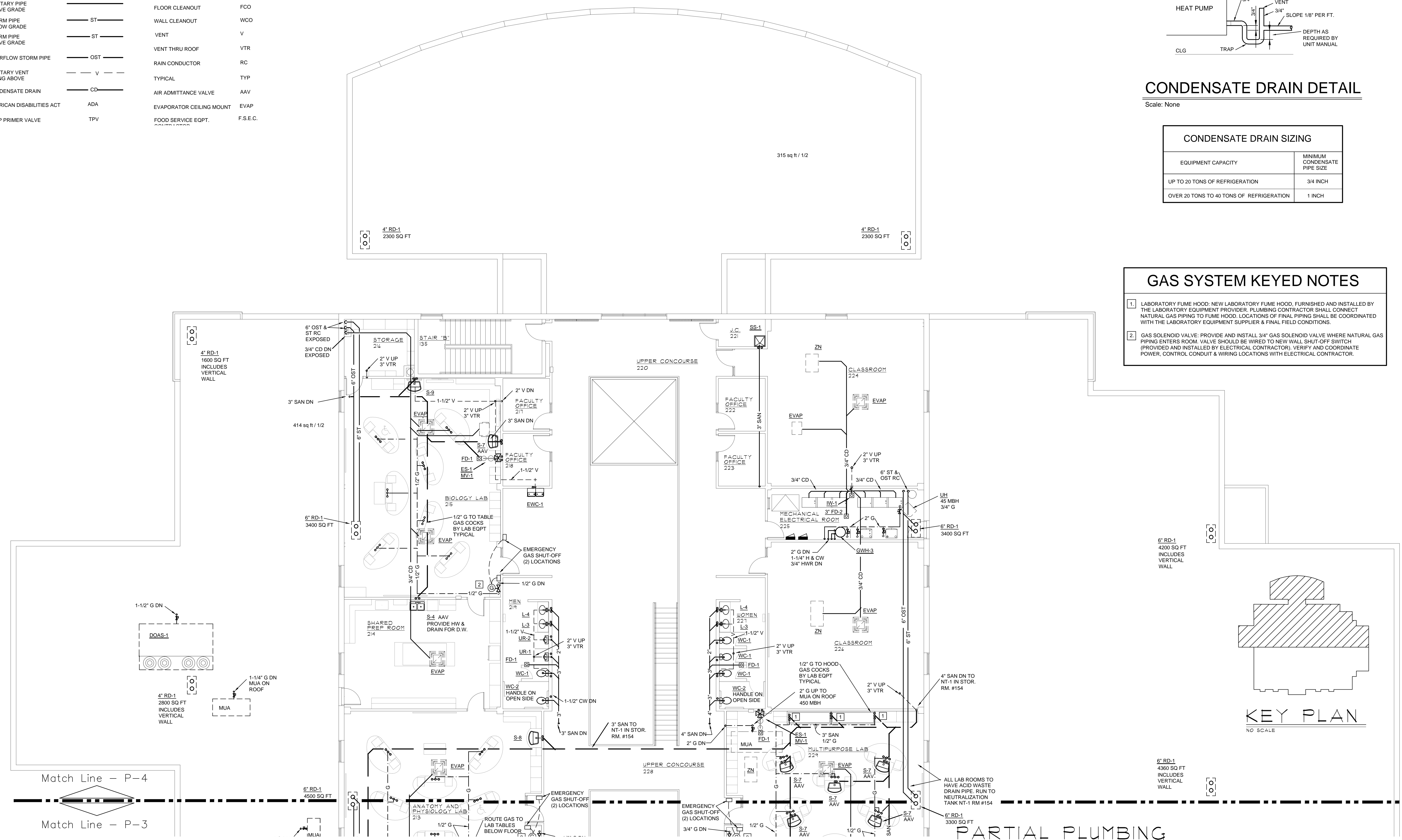
**CONDENSATE DRAIN DETAIL**

Scale: None

CONDENSATE DRAIN SIZING	
EQUIPMENT CAPACITY	MINIMUM CONDENSATE PIPE SIZE
UP TO 20 TONS OF REFRIGERATION	3/4 INCH
OVER 20 TONS TO 40 TONS OF REFRIGERATION	1 INCH

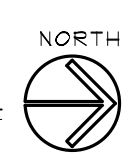
**GAS SYSTEM KEYED NOTES**

- LABORATORY FUME HOOD: NEW LABORATORY FUME HOOD, FURNISHED AND INSTALLED BY THE LABORATORY EQUIPMENT PROVIDER. PLUMBING CONTRACTOR SHALL CONNECT NATURAL GAS PIPING TO FUME HOOD. LOCATIONS OF FINAL PIPING SHALL BE COORDINATED WITH THE LABORATORY EQUIPMENT SUPPLIER & FINAL FIELD CONDITIONS.
- GAS SOLENOID VALVE: PROVIDE AND INSTALL 3/4" GAS SOLENOID VALVE WHERE NATURAL GAS PIPING ENTERS ROOM. VALVE SHOULD BE WIRED TO NEW WALL SHUT-OFF SWITCH (PROVIDED AND INSTALLED BY ELECTRICAL CONTRACTOR). VERIFY AND COORDINATE POWER, CONTROL CONDUIT & WIRING LOCATIONS WITH ELECTRICAL CONTRACTOR.



**PARTIAL PLUMBING SECOND FLOOR PLAN WEST SIDE**

SCALE: 1/8" = 1'-0"





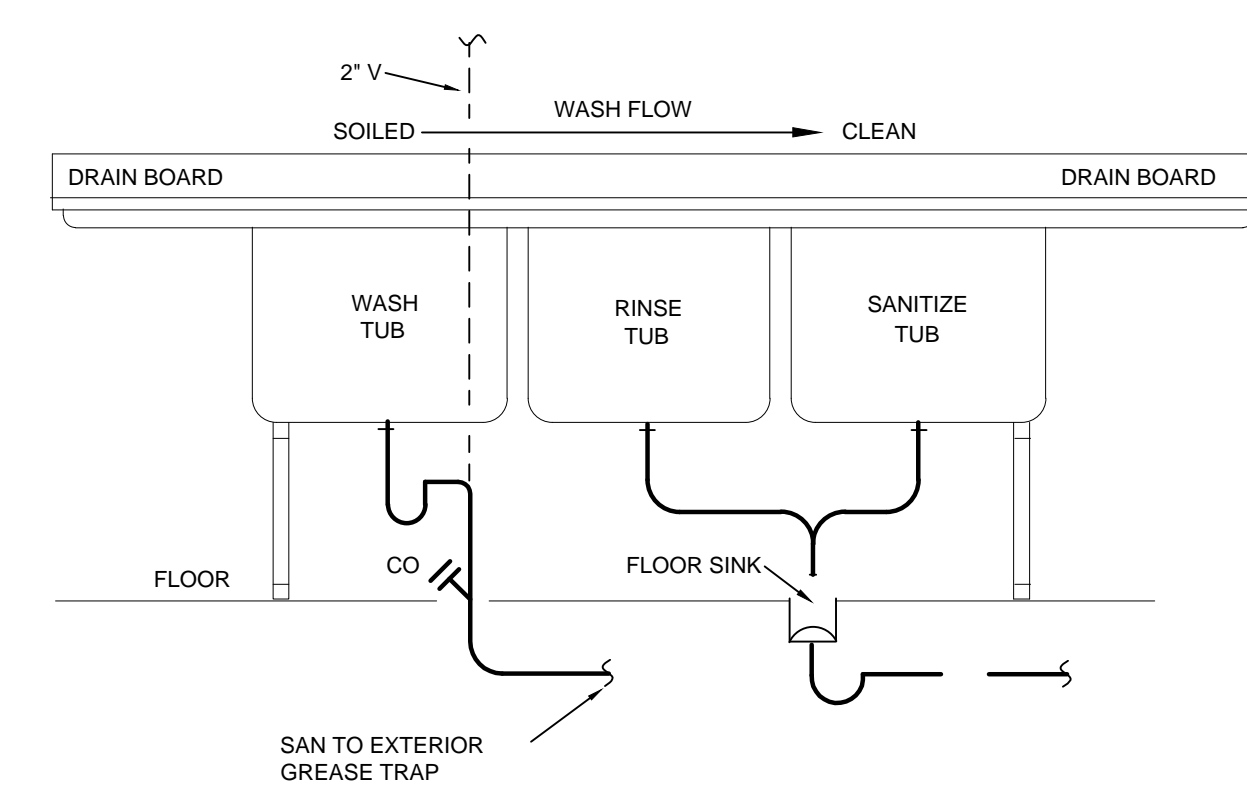
# PLUMBING FIXTURE SCHEDULE

TAG	DESCRIPTION	MFG.	MODEL	ROUGH-IN SIZE			TRIM	REMARKS
				CW	HW	SAN		
WC-1	FL. MTD. ELONGATED WATER CLOSET, FLUSH VALVE	AMERICAN STANDARD	2234.001	1"	---	3"	SLOAN ECOS 8111-1.6/1.1 ELECTRONIC DUAL FLUSH BATTERY, SEAT BEMIS #2155SSCT, SELF-SUSTAINING	
WC-2	FL. MTD. ELONGATED WATER CLOSET, FLUSH VALVE - ADA	AMERICAN STANDARD	3461.001	1"	---	3"	SLOAN ECOS 8111-1.6/1.1 ELECTRONIC DUAL FLUSH BATTERY, SEAT BEMIS #2155SSCT, SELF-SUSTAINING	
WC-3	FL. MTD. ELONGATED WATER CLOSET TANK TYPE, ADA	AMERICAN STANDARD	2386.012	1/2"	---	3"	SEAT BEMIS #2155SSCT, SELF-SUSTAINING TANK LINER	CHROME STOP 1/4 TURN, SUPPLY
UR-1	WALL HUNG URINAL	AMERICAN STANDARD	6501.010	3/4"	---	2"	SLOAN 8180-0.5 BATTERY OPERATED FLUSH VALVE 0.5 GPM	WALL BRACKET SUPPORT
UR-2	WALL HUNG URINAL-ADA	AMERICAN STANDARD	6501.010	3/4"	---	2"	SLOAN 8180-0.5 BATTERY OPERATED FLUSH VALVE 0.5 GPM	WALL BRACKET SUPPORT SET AT ELEV. TO MEET ADA
L-1	WALL HUNG LAVATORY HUNG AT 34" ABOVE FL.	AMERICAN STANDARD	0419.444	1/2"	1/2"	1-1/2"	DELTA #523-HDF FAUCET WITH FIXED STRAINER	CHROME STOPS 1/4 TURN SUPPLIES AND P-TRAP
L-2	WALL HUNG LAVATORY-ADA HUNG AT 34" ABOVE FL.	AMERICAN STANDARD	0419.444	1/2"	1/2"	1-1/2"	DELTA #523-HDF FAUCET WITH FIXED STRAINER	CHROME STOPS 1/4 TURN, SUPPLIES INSUL SUPPLIES & TRAP PER ADA
L-3	COUNTERTOP LAVATORY	AMERICAN STANDARD	0355.012	1/2"	1/2"	1-1/2"	DELTA #523-HDF FAUCET WITH FIXED STRAINER	CHROME STOPS 1/4 TURN, SUPPLIES INSUL SUPPLIES & TRAP PER ADA
L-4	SAME AS L-1 ONLY ADA	AMERICAN STANDARD	0355.012	1/2"	1/2"	1-1/2"	DELTA #523-HDF FAUCET WITH FIXED STRAINER	CHROME STOPS 1/4 TURN, SUPPLIES INSUL SUPPLIES & TRAP PER ADA
S-1	2-COMP. SCRUB SINK, WALL HUNG, ANTI-SPASH OPTION	CONTINENTAL METAL PRODUCTS	263 E	1/2"	1/2"	1-1/2"	GOOSENECK SPOUT, INFRARED WATER SENSOR, THERMOSTATIC MIXING VALVE	CHROME STOPS 1/4 TURN SUPPLIES AND P-TRAP
S-2	BAR SINK 15" x 15" 6" DEEP, 20 GA	ELKAY	BCR15	1/2"	1/2"	1-1/2"	DELTA 27C4833 4-1/2" GOOSENECK FAUCET WITH REMOVABLE STRAINER	CHROME STOPS 1/4 TURN SUPPLIES AND P-TRAP
S-3	1-COMP SINK, 20" x 20" 10" DEEP, 20 GA	ELKAY	ESE202010	1/2"	1/2"	1-1/2"	DELTA #26C3933 6" GOOSENECK FAUCET WITH REMOVABLE STRAINER	CHROME STOPS 1/4 TURN SUPPLIES AND P-TRAP
S-4	2-COMP SINK 6" DEEP, 19 GA - ADA	ELKAY	LRAD3221	1/2"	1/2"	1-1/2"	DELTA #26C3933 6" GOOSENECK FAUCET WITH REMOVABLE STRAINER	CHROME STOPS 1/4 TURN SUPPLIES AND P-TRAP
S-5	2-COMP. SINK BY F.S.E.C.	---	---	3/4"	1/2"	1-1/2"	FAUCET & DISPOSER BY F.S.E.C.	CHROME STOPS 1/4 TURN SUPPLIES AND P-TRAP
S-6	3-COMP. SINK BY F.S.E.C.	---	---	1/2"	1/2"	1-1/2"	FAUCET BY F.S.E.C.	CHROME STOPS 1/4 TURN SUPPLIES AND P-TRAP
S-7	LAB SINK BY EQPT SUPPLIER	---	---	1/2"	NO HW	1-1/2"	FAUCET BY EQPT SUPPLIER	CHROME STOPS 1/4 TURN SUPPLIES AND ACID WASTE P-TRAP
S-8	TWO TIER LAB SINK BY EQPT SUPPLIER - ADA	---	---	1/2"	1/2"	1-1/2"	FAUCET BY EQPT SUPPLIER	CHROME STOPS 1/4 TURN SUPPLIES AND ACID WASTE P-TRAP - ADA
S-9	LAB SINK BY EQPT SUPPLIER - ADA	---	---	1/2"	1/2"	1-1/2"	FAUCET BY EQPT SUPPLIER	CHROME STOPS 1/4 TURN SUPPLIES AND ACID WASTE P-TRAP - ADA
PR-1	PRE-RINSE & DISPOSER BY F.S.E.C.	---	---	1/2"	1/2"	1-1/2"	FAUCET BY F.S.E.C.	CHROME STOPS 1/4 TURN SUPPLIES AND ACID WASTE P-TRAP - ADA
SS-1	MOP SERVICE SINK	PROFLO	PFMB2424	3/4"	3/4"	3"	DELTA 28T1353 WALL MOUNT FAUCET	HOSE AND HOSE CARRIER S.S. MOP HANGER
LT-1	COUNTERTOP LAUNDRY TUB	PROFLO	PFLT2522D	3/4"	3/4"	3"	DELTA 27T3963 FAUCET	
SH-1	TILED SHOWER	---	---	1/2"	1/2"	2"	AMERICAN STANDARD R120, T675.501 SHOWER VALVE & HEAD	
SH-2	TILED SHOWER - ADA	---	---	1/2"	1/2"	2"	AMERICAN STANDARD R120, 1662.602 FIXED HAND SHOWER, HOSE, WALL SUPPLY, SLIDE BAR	
SH-3	GELCOAT SHOWER - ADA 60" W X 36" D, NO CAP	LASCO	1603-BFSC	---	---	---	AMERICAN STANDARD #1662.601 HANDSHOWER HOSE, SLIDE BAR, COLONY VALVE, VAC B.	
EW-1	19 GAL. ELECTRIC WATER HEATER	LOCHINVAR	JRC020DS	3/4"	3/4"	---	208V 1-PH, 2000 W ELEMENT 25" X 18" 12 GPH AT 70 DEG RISE, P & T RELIEF VALVE	120V / 1-PH, PROVIDE AQUASTAT W/ TIMER
RP-1	RECIR. PUMP WITH FLANGE CONNECTION	B & G	NBF-12F/LW	---	3/4"	---	BRONZE CONSTRUCTION	120V/1-PH, PROVIDE AQUASTAT W/ TIMER
GW-1	GAS WATER HEATER - KITCHEN 90 GALLON CAPACITY	LOCHINVAR	SNR151-100	1-1/2"	1-1/2"	---	3" PVC CONCENTRIC VENT KIT - VERTICAL ASME T & P RELIEF VALVE	150,000 BTU/HR INPUT, 120V
GW-2	SAME AS GW-1							
GW-3	SAME AS GW-1							
RP-1	RECIR. PUMP WITH FLANGE CONNECTION	B & G	NBF-12F/LW	---	3/4"	---	BRONZE CONSTRUCTION	120V/1-PH, PROVIDE AQUASTAT W/ TIMER
EW-1	19 GAL. ELECTRIC WATER HEATER	LOCHINVAR	JRC020E	3/4"	3/4"	---	P & T RELIEF VALVE	19 GAL., 120V, 2000 W ELEMENT 25" X 18"
RD-1	12" DIA. COMBINATION MAIN & OVERFLOW ROOF DRAINS	WADE	3000-198	---	---	---	POLY DOME STRAINERS	
DS-1	RAIN DOWNSPOUT NOZZLE	WADE	3940	---	---	---	CAST BRONZE	
HB-1	HOSE BIBB REMOVABLE HANDLE	WOODFORD	65	3/4"	---	---	VACUUM BREAKER REMOVABLE TEE HANDLE	FURNISH TEE TO OWNER
GT-1	RECESSED POLY. GREASE TRAP	CAPLAS	4075A04	---	---	4"	EXTENSION RISER, STANDARD COVER 500 LBS GREASE CAPACITY	TEPID WATER OUTLET IS 1" INCREASE
ES-1	EMERGENCY SHOWER & EYEWASH BY LAB EQPT SUPPLIER	---	---	1-1/4"	TEPID	---	---	TO 1-1/4" TO EMERG. SHWR
MV-1	EMERGENCY SHOWER MIXING VALVE	GUARDIAN	TMV G3800LF	3/4"	3/4"	---	THERMOSTATIC MIXING VALVE BRONZE BODY	
FD-1	FLOOR DRAIN WITH TRAP PRIMER	WADE	1002STD6.1	---	---	3"	SATIN STRAINER	
FD-2	FLOOR DRAIN WITH CAST IRON STRAINER	WADE	1310	---	---	3"	LOOSE SET C.I. STRAINER	
FFD-1	FUNNEL FL DRAIN, SQUARE NICKEL BRONZE STRAINER	WADE	1100G-EF4	---	---	3"	4" FUNNEL	
SP-1	SINGLE SEWAGE PUMP 50 GPM AT 15 FT HD	ZOELLER	910-0005	---	---	2"	SINGLE PACKAGE SYSTEM, ONE M-267 PUMP GASKETED POLY LID, 19"x30" POLY BASIN, CK VALVE	1/2 HP, 115V 1-PH
OI-1	RECESSED OIL INTERCEPTOR WITH 100 GAL STORAGE	WADE	5500-50	---	---	3"	ANTI-SKID COVER, 50 GPM, INTEGRAL STORAGE	
NT-1	55 GAL RECESSED NEUTRALIZATION TANK	ORION	STYLE #5	---	---	(2) 3"	BOLTED COVER WITH ACCESS GAMMA TOP PROVIDE 500 POUNDS LIMESTONE	
HB-1	HOSE BIBB REMOVABLE HANDLE	WOODFORD	65	3/4"	---	---	VACUUM BREAKER REMOVABLE TEE HANDLE	FURNISH TEE TO OWNER
EW-1	ELECTRIC WATER COOLER, TWO LEVEL ADA W/ BOTTLE FILL	ELKAY	VRCGRNBWSK	3/4"	---	1-1/2"	ELECTRONIC SENSOR NO TOUCH BOTTLE FILL 120V, 325 W, COLOR LIGHT GRAY	
IW-1	INDIRECT WASTE FLOOR DRAIN ALUMINUM DOME STRAINER	WADE	1630	---	---	2"	INDIRECT WASTE FUNNEL FLUSH WITH FL.	
FS-1	FLOOR SINK WITH SQUARE NICKEL BRONZE STRAINER	---	---	---	---	3"	1/2 GRATE WITH SEDIMENT BUCKET	
FS-2	FLOOR SINK WITH ROUND ALUMINUM STRAINER	PLASTIC ODDITIES	PFS9230HN	---	---	2"	1/2 GRATE WITH PLASTIC SECONDARY STRAINER	
RD-1	12" DIA. COMBINATION MAIN & OVERFLOW ROOF DRAINS	WADE	3000-198	---	---	---	POLY DOME STRAINERS	
DS-1	RAIN DOWNSPOUT NOZZLE	WADE	3940	---	---	---	CAST BRONZE	
IW-1	INDIRECT WASTE FLOOR DRAIN ALUMINUM DOME STRAINER	WADE	1630	---	---	3"	INDIRECT WASTE FLUSH WITH FL.	

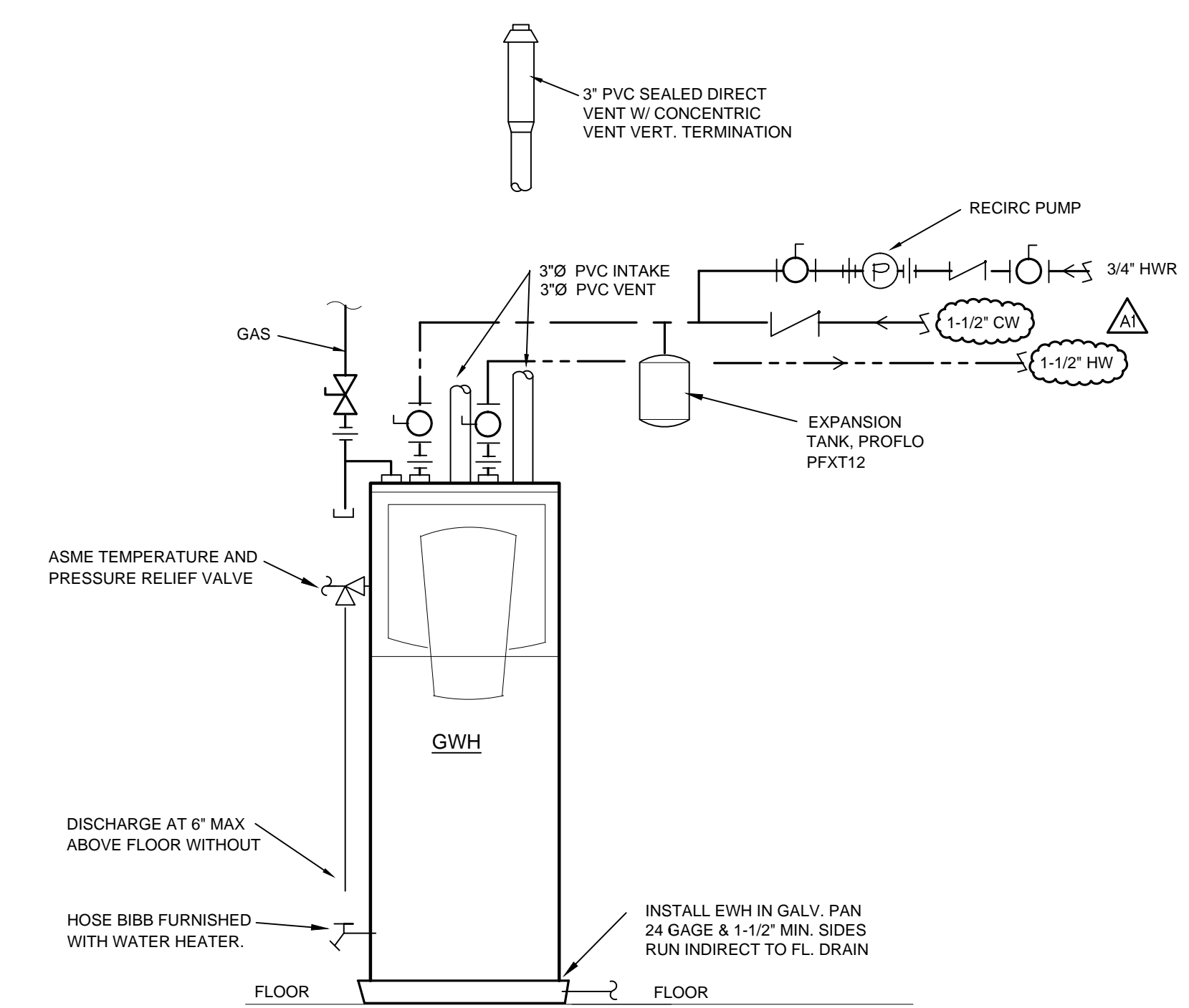
- 1 - PROVIDE MIXING VALVE TO MEET ADA REQUIREMENTS. EQUAL TO WATTS USG-B, MOUNT UNDER LAV.
- 2 - FLOOR DRAIN TRAP SEALER WITH RUBBER DIAPHRAGM ASSE 1072 LISTED, EQUAL TO SURE SEAL.
- 3 - LAVATORY CARRIER CONCEALED ARMS, EQUAL TO WADE 520.
- 4 - URINAL CARRIER EQUAL TO WADE 400.
- 5 - PROVIDE WATER & DRAIN FOR ADJACENT DISHWASHER.

# KITCHEN PLUMBING SCHEDULE

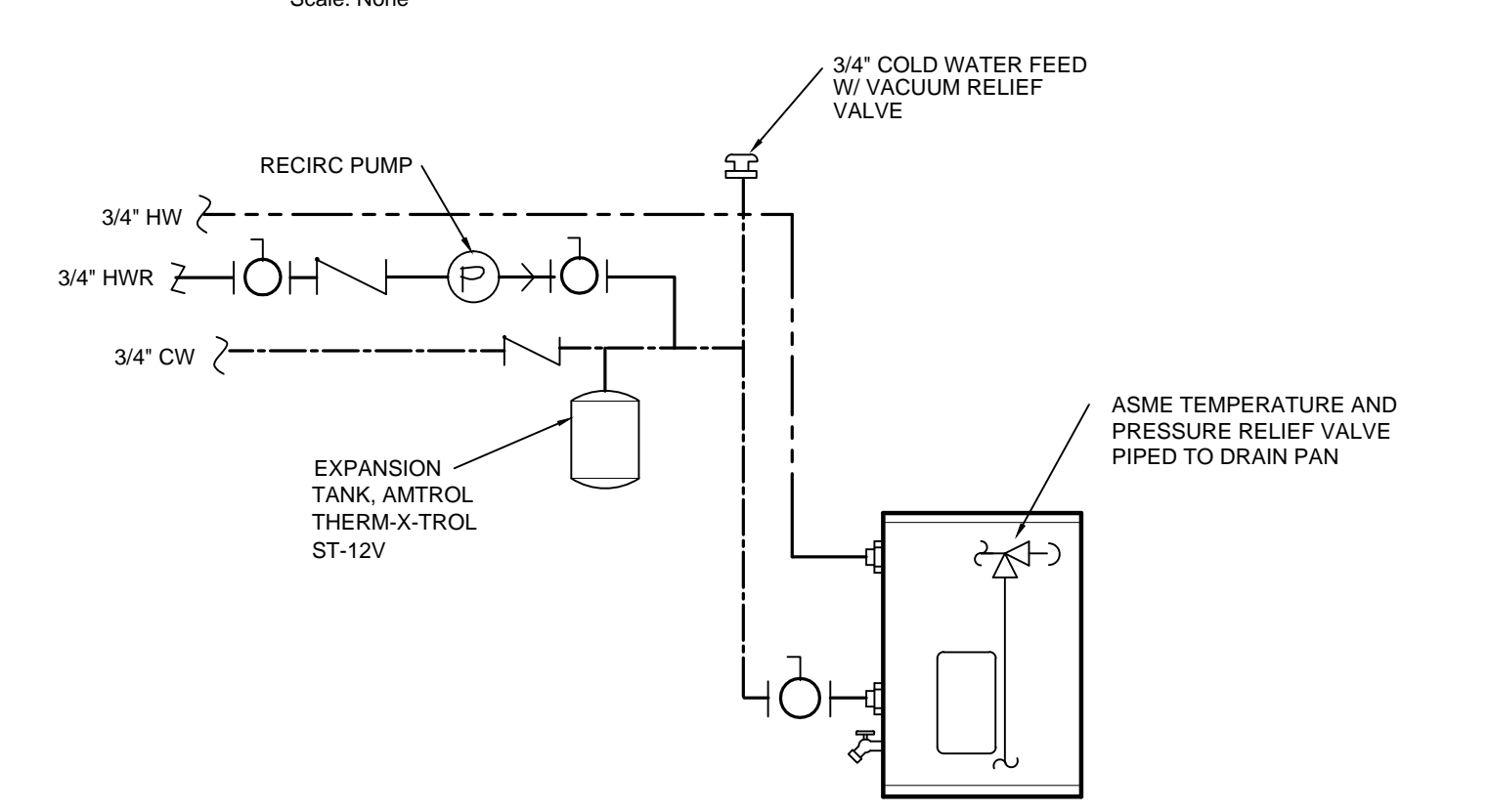
P-1	FUNNEL TYPE FLOOR DRAIN. FSEC TO RUN CONDENSATE DRAINS FROM COOLER AND FREEZER EVAPORATORS TO F.T.F.D. WITH AIR GAP.	P-18	1/2" H.W., 3/4" C.W., 14" AFF, PLUMBER TO B.T.C. ON PRE-RINSE FAUCET AND DISPOSAL.
P-4	1/2" H.W., 3/4" C.W., 14" AFF, PLUMBER TO B.T.C. ON SINK FAUCET AND DISPOSAL, ITEMS.	P-19	1" WASTE FROM WASTE TROUGH ON SOILED DISHTABLE, PLUMBER TO PIPE TO FLOOR SINK, P-17a WITH AIR GAP(SOILED DISHTABLE)
P-4a	FLOOR SINK PLUMBING TRADES TO PIPE 1-1/2" DRAIN FROM SINK TO FLOOR SINK WITH AIR GAP. (WORK TABLE W/SINKS.)	P-25	H.W., C.W., DRAIN FROM MOP SINK, FURNISHED BY PLUMBING TRADES.
P-5	2" WASTE, 12" A.F.F., PLUMBER TO CONNECT TO DISPOSAL.	P-26	1/2" C. WATER, 78" A.F. (SODA SYSTEM CARBONATOR) PLUMBER TO CONNECT TO CARBONATOR WITH BACKFLOW PREVENTER.
P-6	1" GAS CONNECTION, 319,304 BTU AT ROOF LOCATION (MUA-1)	P-28	3/8" C. WATER, 50" A.F. (ICE MAKER) PLUMBER TO CONNECT TO WATER FILTER THEN TO ICE MAKER.
P-7	3/4" GAS, 88,000 BTU, 18" A.F.F. MECHANICAL TRADES TO INSTALL GAS HOSE ASSEMBLY FURNISHED BY KITCHEN CONTRACTOR (CONVECTION OVEN)	P-28a	FLOOR SINK (AIR GAP WASTE FROM ICE MAKER AND BIN) P.C. TO EXTEND 1/2" DRAIN FROM ICE MAKER AND 1-1/4" DRAIN FROM ICE BIN TO FLOOR SINK.
P-8	3/4" GAS, 80,000 BTU, 18" A.F.F. MECHANICAL TRADES TO INSTALL GAS HOSE ASSEMBLY FURNISHED BY KITCHEN CONTRACTOR (COMBI OVEN)	P-31	3/4" GAS CONNECTION, 159,612 BTU AT ROOF LOCATION (MUA-2)
P-8a	3/4" C.W., 46" AFF, PLUMBER TO CONNECT TO COMBI OVEN, (COMBI-OVEN)	P-32	3/4" GAS, 90,000 BTU 18" A.F.F. PLUMBING TRADES TO INSTALL GAS HOSE ASSEMBLY FURNISHED BY KITCHEN CONTRACTOR (GRIDDLE)
P-8b	3/4" C.W., 65" AFF, PLUMBER TO CONNECT TO WATER FILTER ASSEMBLY THEN TO COMBI OVEN, (COMBI-OVEN)	P-33	1-1/4" GAS, 174,000 BTU 18" A.F.F. PLUMBING TRADES TO INSTALL GAS HOSE ASSEMBLY FURNISHED BY KITCHEN CONTRACTOR (FRYER BATTERY)
P-8c	FLOOR SINK PLUMBING TRADES TO PIPE 1-1/2" DRAIN FROM COMBI-OVEN TO FLOOR SINK WITH AIR GAP.	P-41	FLOOR SINK (PLUMBER TO RUN 1/2" INDIRECT DRAINS FROM HOT FOOD WELLS TO FLOOR SINK)
P-9	3/4" GAS, 203,000 BTU, 18" A.F.F. MECHANICAL TRADES TO INSTALL GAS HOSE ASSEMBLY FURNISHED BY KITCHEN CONTRACTOR (OPEN BURNER RANGE)	P-41a	1/2" H. WATER, S.U. 4" A.F., (PLUMBER TO CONNECT TO FILL FAUCET ON HOT FOOD SERVING COUNTER)
P-10	3/4" GAS, 90,000 BTU 14" A.F.F. PLUMBING TRADES TO INSTALL GAS HOSE ASSEMBLY FURNISHED BY KITCHEN CONTRACTOR (TILT SKILLET)	P-47	3/8" C. WATER, 48" A.F., (FLAVORED WATER MACHINE BY OWNER, VERIFY ON SITE) PLUMBER TO CONNECT TO FLAVORED WATER MACHINE WITH BACKFLOW PREVENTER.
P-10a	1/2" H.W., 1/2" C.W., 18" AFF, PLUMBER TO CONNECT TO FAUCET ON TILT SKILLET	P-48	3/8" C. WATER, 48" A.F., (COFFEE MACHINE BY OWNER, VERIFY ON SITE) PLUMBER TO CONNECT TO COFFEE MACHINE WITH BACKFLOW PREVENTER.
P-11	4" WASTE CONNECTION FOR FLOOR TROUGH	P-50	FLOOR SINK PLUMBER TO RUN INDIRECT DRAIN FROM SODA DISPENSER TO FLOOR SINK
P-14	1/2" H. & C. WATER, 14" A.F., 1.5" DRAIN, 24" A.F., (3 HAND SINKS)	P-51	1/2" C.W., 90" A.F.F., PLUMBER TO CONNECT TO WATER FILTER THEN TO ICE MACHINE.
P-15	1/2" H.W., 1/2" C.W., 14" A.F.F., PLUMBER TO CONNECT TO SINK FAUCETS. (THREE COMPARTMENT SINK)	P-51a	3/4" DRAIN FROM ICE MAKER. PLUMBER TO RUN DRAIN TO FLOOR SINK, P-50 WITH PROPER AIR GAP.
P-15a	FLOOR SINK PLUMBING TRADES TO PIPE 2" DRAINS FROM RINSE AND SANITIZE SINKS TO FLOOR SINK WITH AIR GAP, (THREE COMPARTMENT SINK)	P-60	3/4" H.W. 8" A.F.F., PLUMBER TO CONNECT TO BOOSTER HEATER.
P-15b	2" WASTE FROM WASH SINK, 16" A.F.F., PLUMBER TO CONNECT TO GREASE TRAP (THREE COMPARTMENT SINK)	P-60a	FLOOR DRAIN
P-17	3/4" 180 DEGREE H.W. 60" A.F.F., PLUMBER TO PIPE FROM BOOSTER HEATER, ITEM 60 TO DISHWASHER.		
P-17a	FLOOR SINK PLUMBING TRADES TO PIPE 2" INDIRECT WASTE FROM DISHWASHER TO FLOOR SINK		
P-17b	1/2" C.W. 24" A.F.F. PLUMBING TRADES TO PIPE TO DISHWASHER DRAIN LINE TEMPERING KIT.		



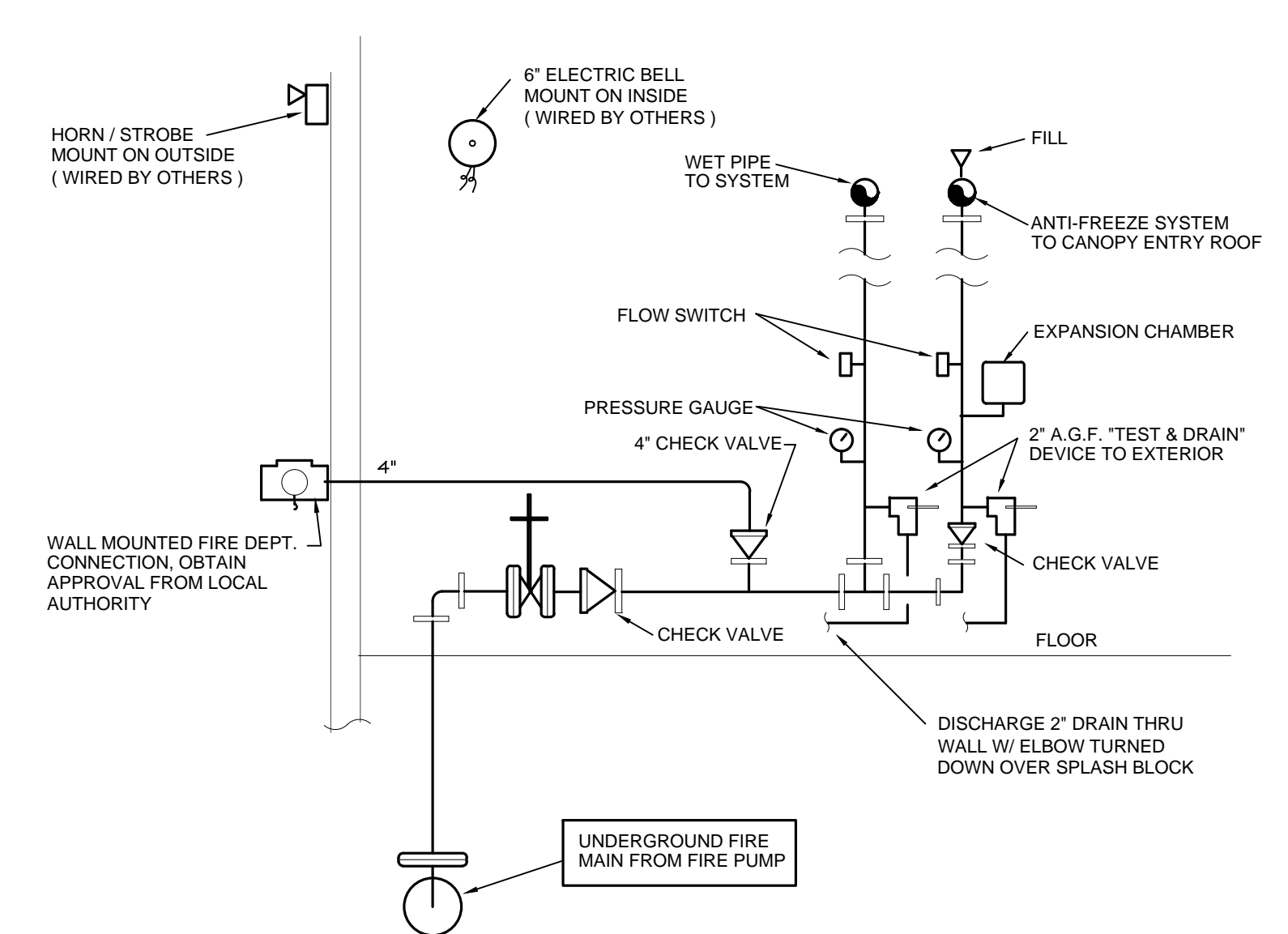
**3-COMPARTMENT SINK DETAIL**  
Scale: None



**WATER HEATER PIPING DETAIL**  
Scale: None



**ELEC WATER HEATER DETAIL**  
Scale: None



**WET SPRINKLER RISER**  
Scale: None

**FIRE PROTECTION NOTES**  
1. THE FIRE PROTECTION SYSTEM IS A COMPLETE DESIGN / BUILD UNDER THE GENERAL CONTRACT AND ALL SYSTEMS, EQUIPMENT, PIPING, SITE WORK, WATER STORAGE TANK FOR 60 MINUTE SUPPLY, 250 GPM ELECTRIC FIRE PUMP, JOCKEY PUMP, CONTROL PANEL, ETC ARE TO BE PROVIDED UNDER THE CONTRACT FOR A COMPLETE FUNCTIONAL SYSTEM THAT PASSES ALL CODES AND OFS INSPECTIONS.